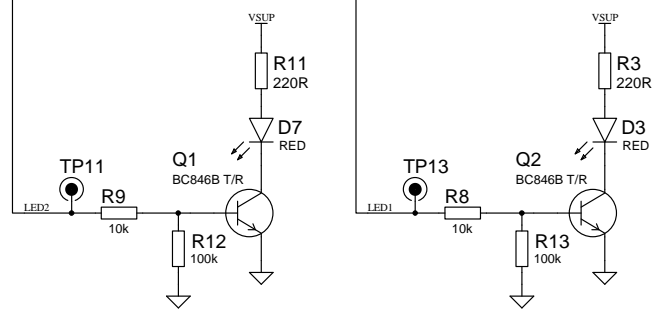


- TP7 ● ICSPDAT_DP
- TP8 ● ICSPCLK_DN
- TP10 ● SW1
- TP12 ● SW2

© Copyright PL Strategies Pty Ltd 2009
 All information contained in this document
 is the proprietary intellectual property of
 PL Strategies Pty Ltd licensed to Phicom,
 and is subject to Use Agreements.

Sch:Annotate



Phicom Pty Ltd
 PO Box 349
 Prahran, VIC 3181
 Australia
 + 61 3 5446 1013
 + 61 400 085 269
 email:
 info@phicom.com.au
 web:
 www.phicom.com.au



PHICOM and the stylized Phi Logo are trademarks of Phicom All other product or services names are property of their respective owners. © Phicom 2007

Drawn	Approved	Revision	Subject to Use Agreements	
P Crowhurst		1.0	Development Receiver	
Size A2	FCSM No. NA	DWG No. P18MICRF221-868-R1	Rev	
Scale NA	Sheet 1 of 3			

All information contained within this document is subject to Use Agreements